

TREATMENT PERFORMANCE RESULTS

Premier Tech Aqua Ltd.
Quatertown Industrial Estate, Mallow, Co. Cork, Ireland

EN 12566-3

Results corresponding to EN 12566-3 and S.R. 66

PIA-SR66-1603-1042-3

ECOFLO Media filter

Nominal organic daily load	0.24 kg/d		
Nominal hydraulic daily load	0.75 m ³ /d		
Material	Polyethylene		
Watertightness	Pass		
Structural behaviour (Pit Test)	Pass (also wet conditions)		
Durability	Pass		
Treatment efficiency (nominal sequences)		Efficiency	Effluent
		COD	92.2 % 59 mg/l
		BOD ₅	98.2 % 5.4 mg/l
		NH ₄ -N	91.1 % 5.5 mg/l
		SS	98.5 % 5.2 mg/l
Number of desludging	Not more than once		
Electrical consumption	0 kWh/d		

Performance tested by:

PIA – Prüfinstitut für Abwassertechnik GmbH

CERTIPRO – Service de certification et de contrôle, Vito

CSTB – Centre Scientifique et technique du Batiment

CERIB – Centre d'Etudes et de Recherche de l'Industrie du Béton

This document replaces neither the declaration of performance nor the CE marking.



Notified Body
No.: 1739



Certified according to
ISO 9001:2008

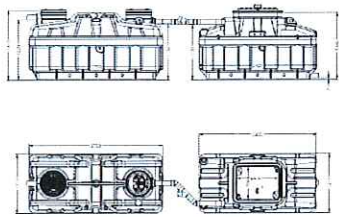
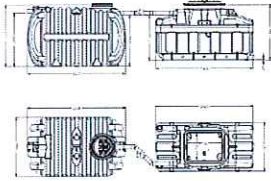
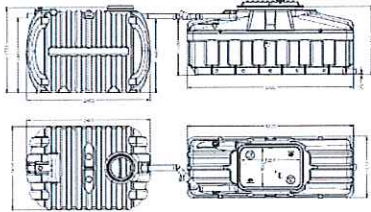


Prüfinstitut für Abwassertechnik GmbH
Elmar Lancé
geprüft - tested - teste

Elmar Lancé

July 2016

ECOFLO range and its referring test reports:

Population equivalent (PE)	Drawing of model of the range	Watertightness (EN 12566-3 Annex A)	Treatment Efficiency (EN 12566-3 Annex B)	Structural Behaviour (EN 12566-3 Annex C)	Durability
Initial Type Test (ITT) 5	<p>Model A (ITT) – SPE (750 L/d)</p> 	<p>Pass</p> <p>CAPE-AT-13-250</p>	<p>Pass</p> <p>CAPE AT 16-024-1 - V1 (EN 12566-3)</p>	<p>Pass</p> <p>For wet ground conditions also, 0.51 m installation depth from inlet invert</p>	<p>Pass</p> <p>CAPE-AT-14-143</p>
5	<p>Model B – SPE (750 L/d)</p> 	<p>Pass</p> <p>CAPE-AT-13-250</p> <p>BES/N9902/P P/pp/04.235</p>	<p>Pass</p> <p>Range conformity according to S.R. 66:2015</p>	<p>Pass</p> <p>For wet ground conditions also, 0.51 m installation depth from inlet invert</p>	<p>Pass</p> <p>CAPE-AT-14-143</p>
7	<p>Model C – 7PE (1050 L/d)</p> 	<p>Pass</p> <p>CAPE-AT-13-250</p> <p>BES/N9902/P P/pp/04.235</p>	<p>Pass</p> <p>Range conformity according to S.R. 66:2015</p>	<p>Pass</p> <p>BES/N9902 /PP/pp/04.2 35</p> <p>PIA2015-ST-PIT-1412-1074.01</p> <p>For wet ground conditions also, 0.51 m installation depth from inlet invert</p>	<p>Pass</p> <p>CAPE-AT-14-143</p>

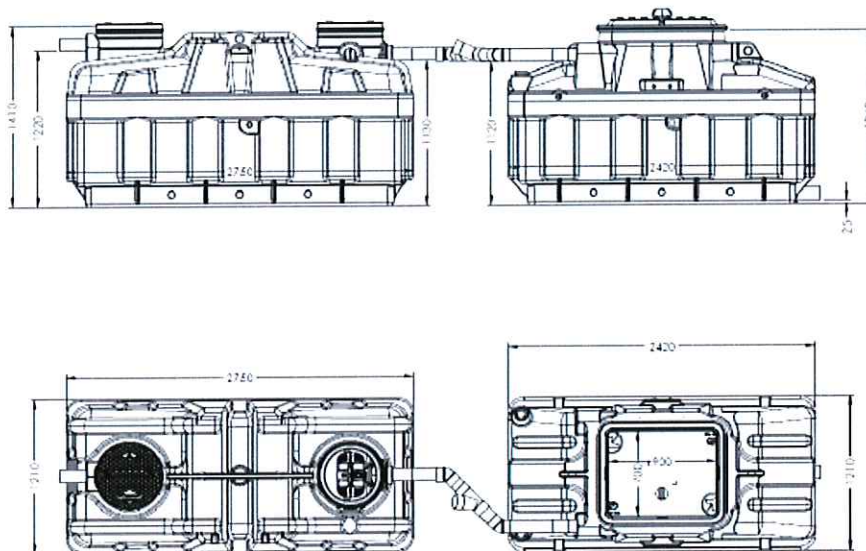


Population equivalent (PE)	Drawing of model of the range	Watertightness (EN 12566-3 Annex A)	Treatment Efficiency (EN 12566-3 Annex B)	Structural Behaviour (EN 12566-3 Annex C)	Durability
10	<p>Model D – 10PE (1500 L/d)</p>	<p>Pass</p> <p>CAPE-AT-13-250</p> <p>BES/N9902/P P/pp/04.235</p>	<p>Pass</p> <p>Range conformity according to S.R. 66:2015</p>	<p>Pass</p> <p>For wet ground conditions also, 0.51 m installation depth from inlet invert</p>	<p>Pass</p> <p>CAPE-AT-14-143</p>
14	<p>Model E – 14PE (2100 L/d)</p>	<p>Pass</p> <p>CAPE-AT-13-250</p> <p>BES/N9902/P P/pp/04.235</p>	<p>Pass</p> <p>Range conformity according to S.R. 66:2015</p>	<p>Pass</p> <p>For wet ground conditions also, 0.51 m installation depth from inlet invert</p>	<p>Pass</p> <p>CAPE-AT-14-143</p>
15	<p>Model F – 15PE (2250 L/d)</p>	<p>Pass</p> <p>CAPE-AT-13-250</p> <p>BES/N9902/P P/pp/04.235</p>	<p>Pass</p> <p>Range conformity according to S.R. 66:2015</p>	<p>Pass</p> <p>For wet ground conditions also, 0.51 m installation depth from inlet invert</p>	<p>Pass</p> <p>CAPE-AT-14-143</p>

ECOFLO® (EN 12566-3 systems)

Drawings

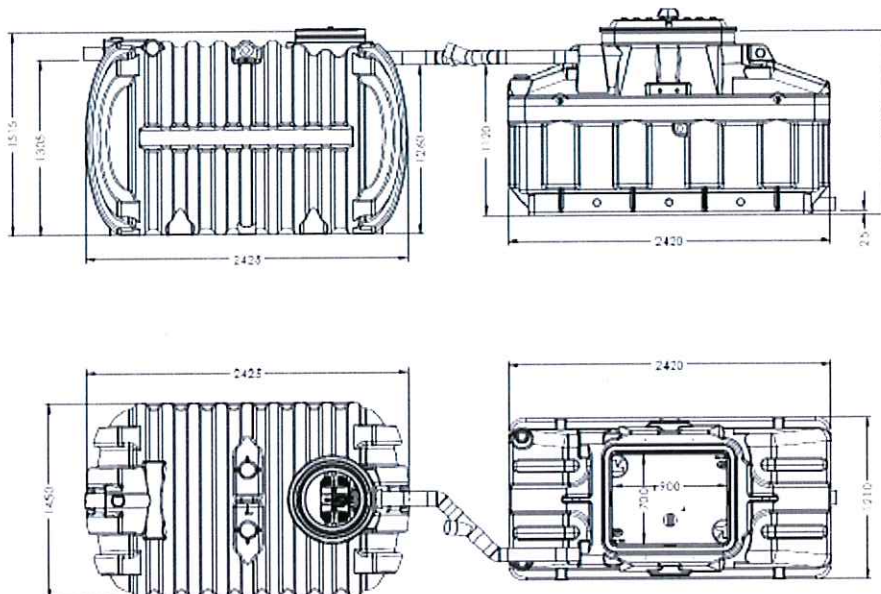
Model A (ITT) – 5PE (750 L/d)



ECOFLO® (EN 12566-3 systems)

Drawings

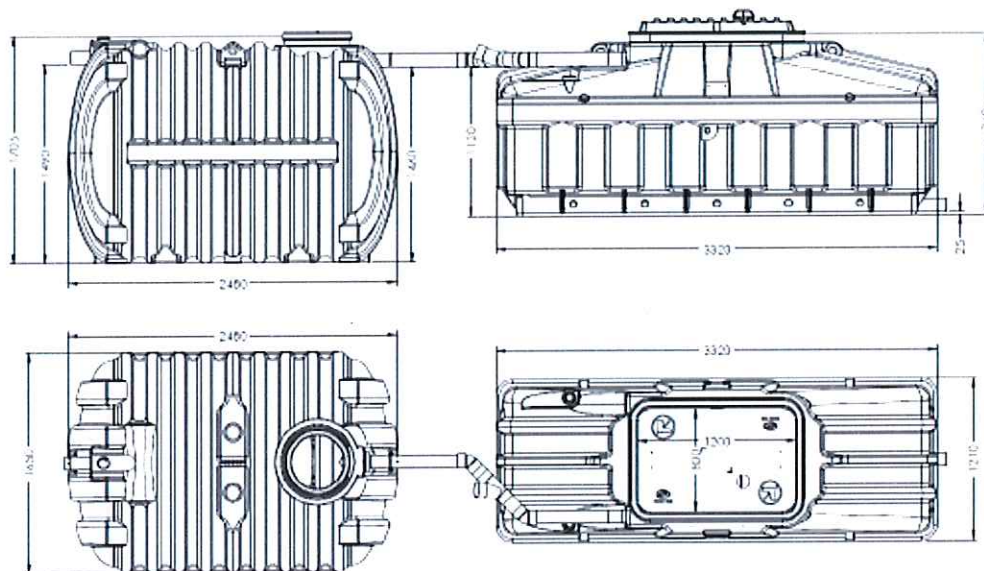
Model B – 5PE (750 L/d)



ECOFLO® (EN 12566-3 systems)

Drawings

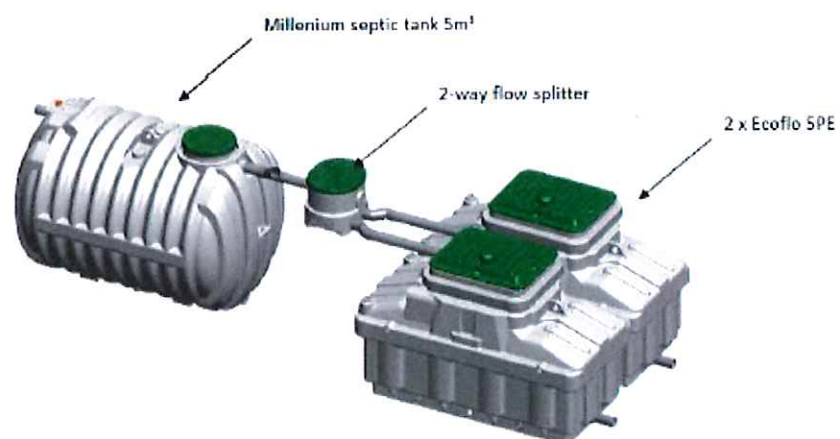
Model C – 7PE (1050 L/d)



ECOFLO® (EN 12566-3 systems)

Drawings

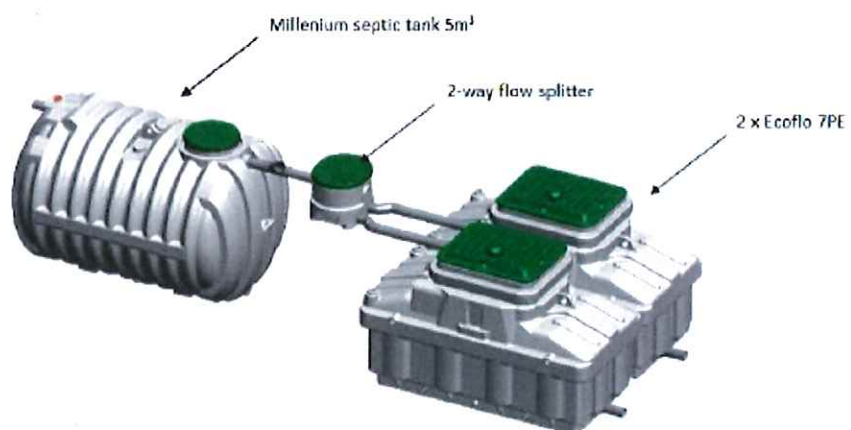
Model D – 10PE (1500 L/d)



ECOFLO® (EN 12566-3 systems)

Drawings

Model E – 14PE (2100 L/d)



ECOFLO® (EN 12566-3 systems)

Drawings

Model F – 15PE (2250 L/d)

