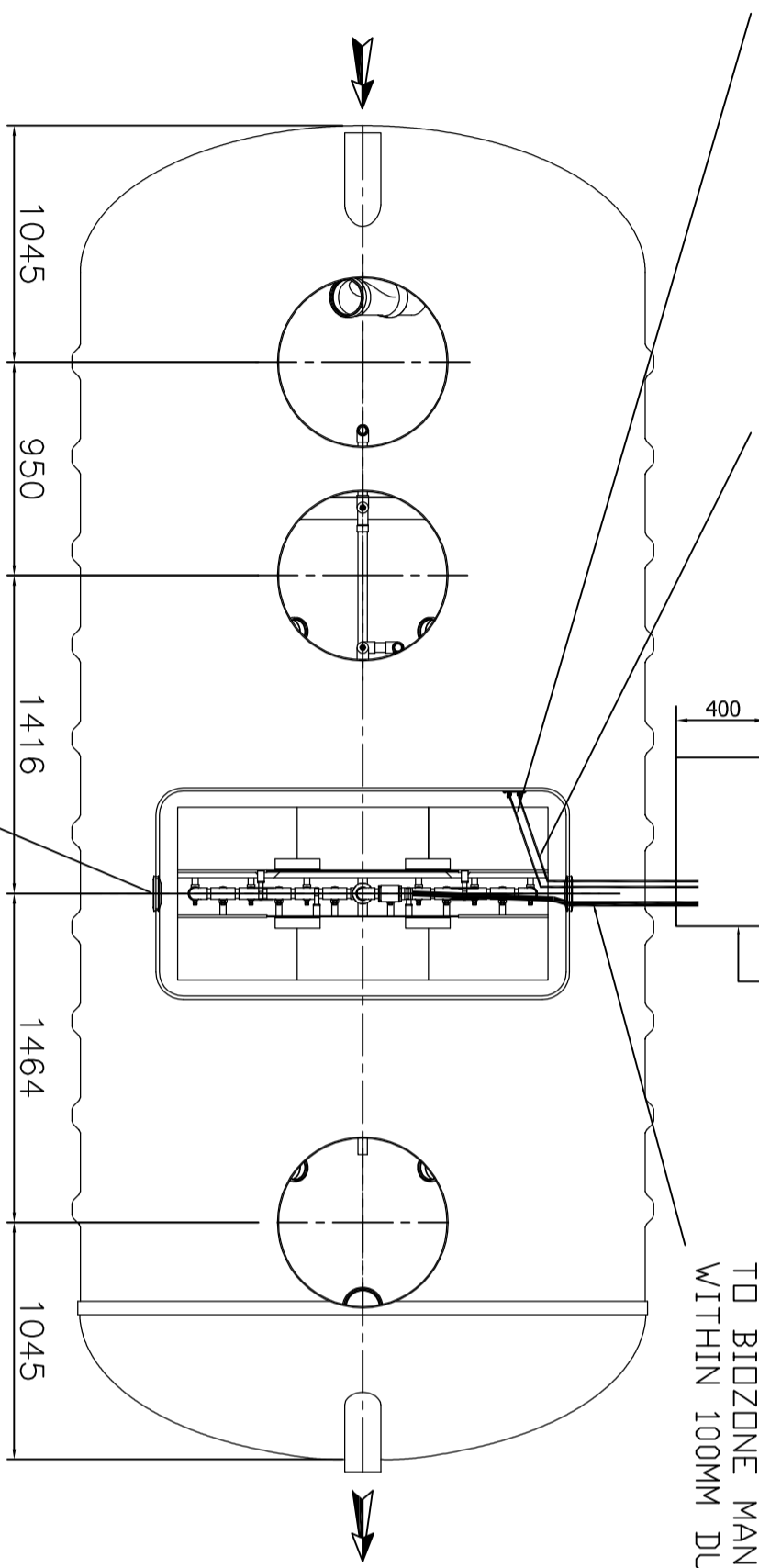


10mm PNUMATIC PIPE
FRDM VALVE 2 TD
HUMUS RETURN AIR
CONNECTOR WITHIN
100MM DUCT

10mm PNUMATIC PIPE
FRDM VALVE 1 TD
FORWARD FEED AIR LIFT
WITHIN 100MM DUCT

POWER SUPPLY 1PH
TD CONTROL PANEL

2" HOSE FROM KIOSK
BRASS HOSETAIL
TD BIOZONE MANIFOLD
WITHIN 100MM DUCT



Vent connections are provided on the
SAF tank turrets, to allow connection to
the site's venting system. The design of
the venting system will vary from site to
site and is the responsibility of the
installation contractor.

1	15/03/10	RP	RU	RP	ISSUED FOR INFO
REV.	DATE	BY	CHKD.	APPD.	DESCRIPTION

F	S W E N	1ST ANGLE PROJECTION	GENERAL TOLERANCES (unless noted otherwise)		
			GRP FABRICATED MACHINED	LINEAR	ANGLE
			± 5mm	± 2mm	± 0.5°
			± 0.5mm		± 0.2°
					± 0.1°

A3
DO NOT SCALE
IF IN DOUBT ASK
ALL DIMENSIONS IN MM

THIS DRAWING IS THE PROPERTY OF
CONDER SOLUTIONS LTD. AND IS NOT TO BE
COPIED IN PART OR WHOLE WITHOUT WRITTEN PERMISSION

IMPORTANT INVERT LEVEL NOTE (RIBBED TANKS ONLY):
The inlet and outlet Invert Level (IL) shown on this drawing is to internals of the shell unless otherwise stated.
For Invert level to the outside of the shell ribs, see the conversion below:
ø3.0m, 4.0m IL+75mm ('X')
ø3.0m, 4.0m IL+75mm ('X')

INNER TANK SHELL
DETAIL 'Y'

conder
ENVIRONMENTAL SOLUTIONS

TITLE
SAF075N20 SCHEME SHOWING
TYPICAL KIOSK CONNECTIONS

DRAWN BY	RP	CHKD.	RU	APPD.	RP	SCALE	NTS	DRAWING No.	SAF075N20 LAYOUT	REVISION	1
DATE	15/03/10	DATE	15/03/10	DATE	15/03/10						