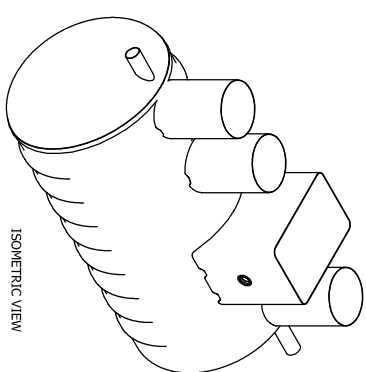
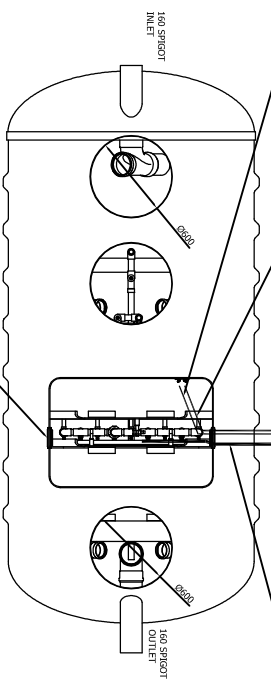


10mm PNUMATIC PIPE FROM VALVE
2 TO HUMUS RETURN AIR LIFT
CONNECTOR WITHIN 100MM DUCT

10mm PNUMATIC PIPE FROM
VALVE 1 TO FORWARD FEED
AIR LIFT WITHIN 100MM DUCT

POWER SUPPLY 1PH
TO CONTROL PANEL

2" HOSE FROM KIOSK
TO BIOZONE MANIFOLD
WITHIN 100MM DUCT

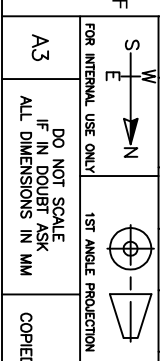


Vent connections are provided on the SAF tank turrets, to allow connection to the site's venting system. The design of the venting system will vary from site to site and is the responsibility of the installation contractor.

1	15/03/10	RP	RU	RP	ISSUED FOR INFO												
REV.	DATE	BY	CHKD.	APPD.	DESCRIPTION												
<p>GENERAL TOLERANCES (unless noted otherwise)</p> <table border="1"> <tr> <td>GRP</td> <td>± 5mm</td> <td>± 0.5°</td> </tr> <tr> <td>FABRICATED</td> <td>± 2mm</td> <td>± 0.2°</td> </tr> <tr> <td>MACHINED</td> <td>± 0.5mm</td> <td>± 0.1°</td> </tr> </table>						GRP	± 5mm	± 0.5°	FABRICATED	± 2mm	± 0.2°	MACHINED	± 0.5mm	± 0.1°			
GRP	± 5mm	± 0.5°															
FABRICATED	± 2mm	± 0.2°															
MACHINED	± 0.5mm	± 0.1°															
<p>IMPORTANT INVERT LEVEL NOTE (RIBBED TANKS ONLY): The inlet and outlet invert levels shown on this drawing is to the outside of the shell unless otherwise stated. For invert level to the outside of the shell ribs, see the conversion below:</p> <table border="1"> <tr> <td>Ø10m</td> <td>12m</td> <td>15m</td> <td>18m</td> <td>25m</td> <td>IL+50mm (X)</td> </tr> <tr> <td>Ø3.0m</td> <td>4.0m</td> <td>IL+50mm (X)</td> <td></td> <td></td> <td></td> </tr> </table>						Ø10m	12m	15m	18m	25m	IL+50mm (X)	Ø3.0m	4.0m	IL+50mm (X)			
Ø10m	12m	15m	18m	25m	IL+50mm (X)												
Ø3.0m	4.0m	IL+50mm (X)															
<p>TANKS SUPPLIED WITH LOOSE SHAFTS DO NOT COME SUPPLIED WITH A FIXING KIT. THIS IS THE RESPONSIBILITY OF THE SITE CONTRACTOR.</p>																	

**NSAF25 SCHEME SHOWING
TYPICAL KIOSK CONNECTIONS**

TITLE	NSAF25 SCHEME SHOWING TYPICAL KIOSK CONNECTIONS
DRAWN BY	RP
DATE	15/03/10
CHKD.	RU
DATE	15/03/10
APPD.	RP
DATE	15/03/10
SCALE	NTS
DRAWING No.	NSAF25 LAYOUT
REVISION	1



DO NOT SCALE
IF IN DOUBT ASK
ALL DIMENSIONS IN MM

THIS DRAWING IS THE PROPERTY OF
CONDER SOLUTIONS LTD. AND IS NOT TO BE
COPIED IN PART OR WHOLE WITHOUT WRITTEN PERMISSION